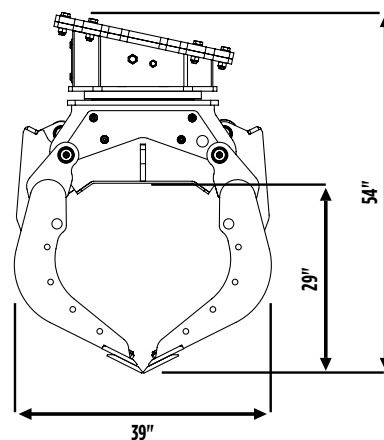
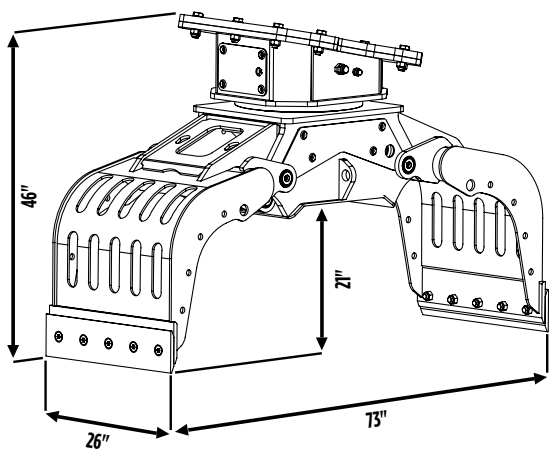


# MB-G600 S2





## MB-G600 S2

The MB-G600 S2 grapple, the smallest model in the MB-G line, combines notable operational agility, extreme sensitivity, and grasping precision. Its clasping strength is adjustable in carrying out demolition operations on walls.

This specific model is ideal for collecting wood, plastic, concrete, cement tubes, and other materials.


## ACCESSORIES

- ROTATION POWER EXTENDER KIT
- GRIP IMPROVEMENT KIT
- MULTI-PURPOSE BLADE KIT
- RUBBER PROTECTION KIT
- CLAM SHELL KIT
- WARRANTY EXTENSION GOLD 24

## AREAS OF APPLICATIONS

- DEMOLITION
- URBAN CONSTRUCTION SITES
- PORTS AND FREIGHT TERMINALS
- QUARRIES
- RECYCLING AND WASTE SORTING FACILITY

## SPECIFICATIONS

RECOMMENDED EXCAVATOR	LOAD CAPACITY (CLAWS CLOSED)	ROTATION OIL FLOW	OIL FLOW (OPEN/CLOSE)
 13,200 - 26,400 lbs	10.2 ft <sup>3</sup>	4 - 8 gal/min	7 gal/min
ROTATION OIL PRESSURE	OIL PRESSURE (OPEN/CLOSE)	WEIGHT	ROTATION
2,321 PSI	2,900 PSI / 5,802 PSI	1,323 lbs	360°

They allow you to customize your attachments on the job site in a more efficient manner.



## ROTATION POWER EXTENDER KIT

The MB rotation power extender kit can be installed on top of the MB grapple. It magnifies the rotation strength of the grapples and allows for moving heavy material with extreme ease.



## GRIP IMPROVEMENT KIT

The MB grip improvement kit is installed on the internal side of the MB grapple. It allows the client to move particularly heavy and unusual shapes with more ease, grip, and precision.



## MULTIPURPOSE BLADE KIT

The MB multipurpose blade kit is a replacement of the yellow blade at the end of the MB grapple. It has a double blade feature: it is toothed on one side and smooth on the other. The blades are easily and quickly interchangeable. It is available for all MB grapple models.



## RUBBER PROTECTION KIT

The rubber protection kit is installed on the internal part of the MB grapple. It is equipped with rubber edges to move linear and delicate material. Its tilting structure allows clients to pick up different sizes of material.



## CLAM SHELL KIT

The MB clam shell kit is manufactured to move and pick up small-sized material. It is easy and quick to install.