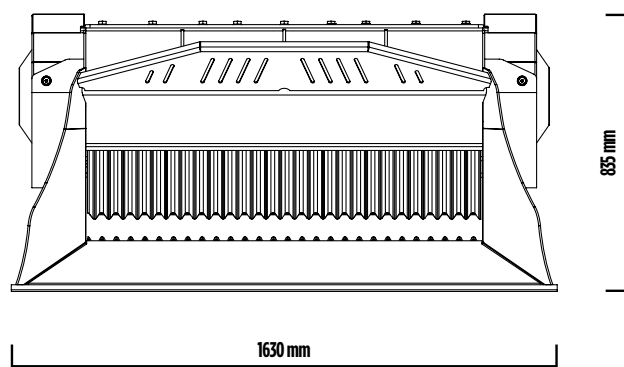
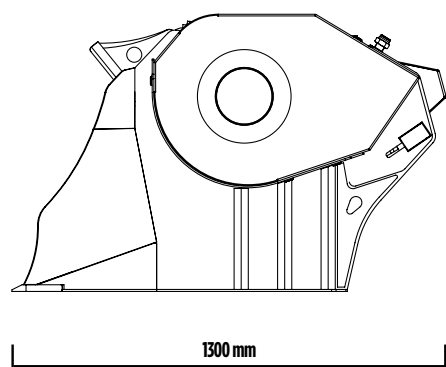
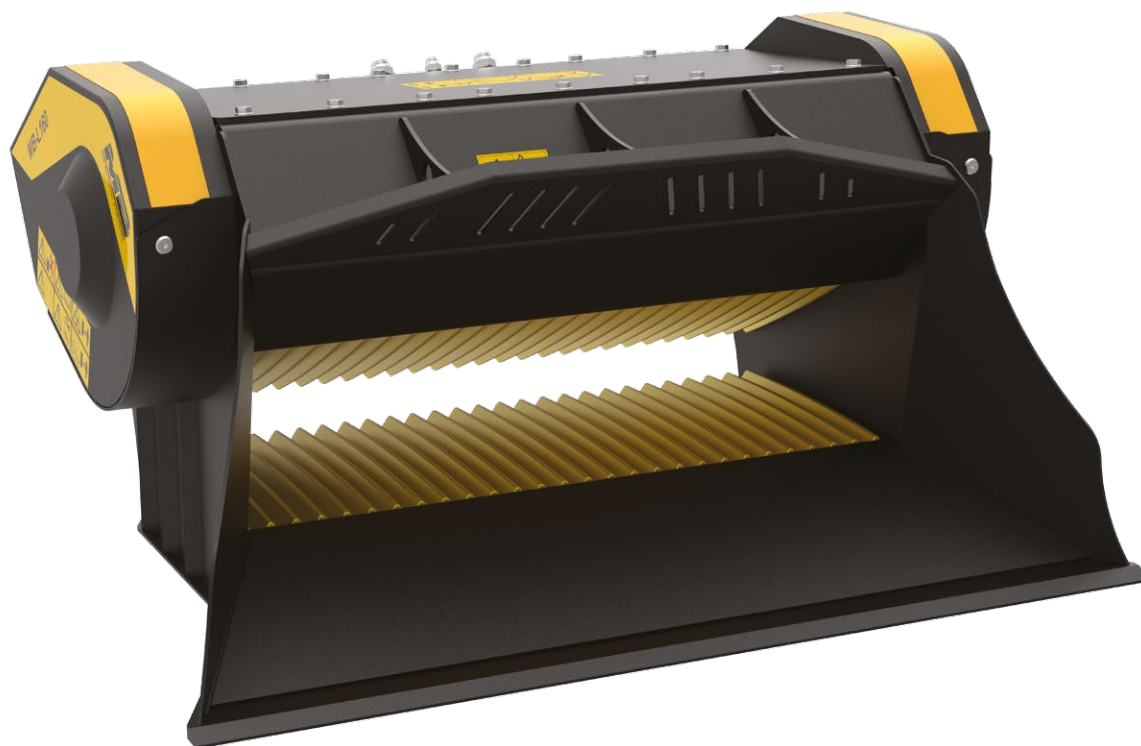


MB-L160 S2





MB-L160 S2

A true gem of efficiency and practicality, the MB-L160 crusher bucket has been created to answer the requirements of crushing with excavators, mini-excavators and loaders, fully maintaining the characteristics of performance and productivity of the entire MB range. Particularly efficient and flexible thanks to its compact dimensions, it makes fitting easier, thus facilitating use.



ACCESSORIES

- RECOMMENDED SPARE PARTS KIT
- HOUR METER
- DUST SUPPRESSION KIT
- 24 MONTHS WARRANTY

AREAS OF APPLICATION

- RECYCLING
- LARGE-SCALE RESIDENTIAL SITES
- SMALL/MEDIUM-SCALE COMMERCIAL SITES
- DEMOLITION

SPECIFICATIONS

EQUIPMENT	LOAD CAPACITY	OPENING DIMENSIONS	OUTPUT SETTING	DIMENSIONS
≥ 4,50 Ton ≥ 7 ≤ 10 Ton	0,35 m ³	L 1100 H 240 mm	≥ 15 ≤ 60 mm	1300 x 1630 H 835 mm
OIL FLOW	PRESSURE	COUNTER PRESSURE	WEIGHT	MAXIMUM PRODUCTION
110 l/min.	200 bar	20 bar	1,45 Ton	20 m ³ /h