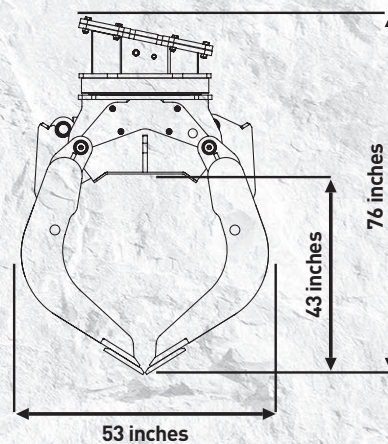
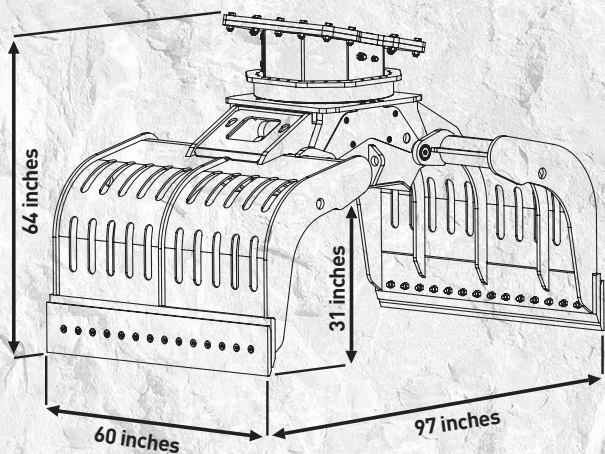
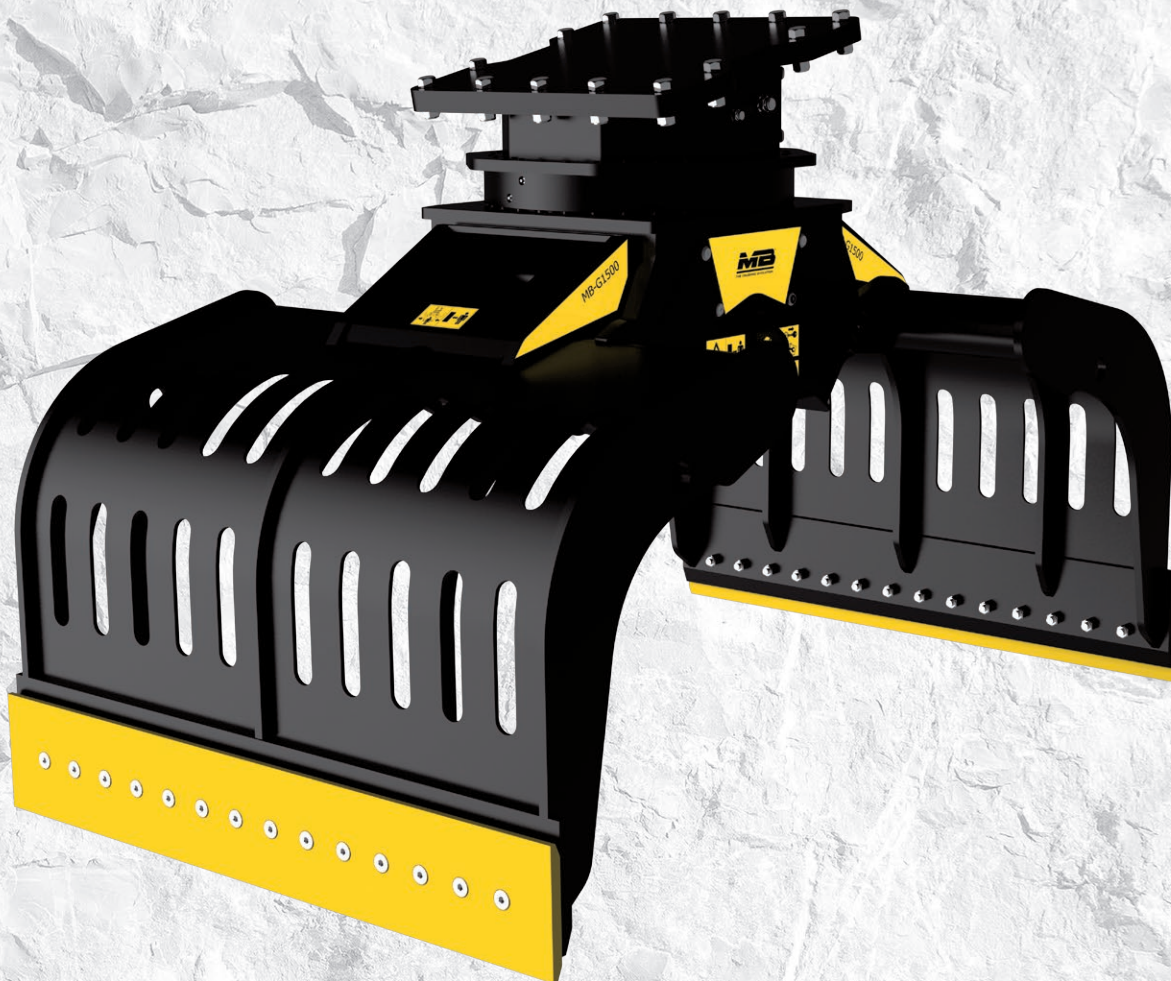


MB-G1500



“Powerful, practical, **efficient**”

Designed for selecting and handling demolition materials and manufactured according to the highest technological standards for any type of materials in a reliable way.

Thanks to the interchangeable claws and the 360° hydraulic rotation, it allows you to handle large loads and odd forms with certainty and total safety.



SPECIFICATIONS

RECOMMENDED EXCAVATOR	LOAD CAPACITY (CLAWS CLOSED)		OIL FLOW (OPEN/CLOSE)
44,000-55,000 lbs	50.5 ft³		13.2 gal/min.
PRESSURE (OPEN/CLOSE)	WEIGHT		ROTATION
4,300 PSI / 5,800 PSI	4,400 lbs		360°

ACCESSORIES

RECOMMENDED SPARE PARTS KIT	FIXED COUPLER	QUICK FEMALE COUPLER	
MBG150008	FCG121500	MBG121500	
			OPTIONAL 24 MONTHS WARRANTY
			WA241500

The data provided above is not binding, as the manufacturer reserves itself the right to make improvements to its products at any time and with no advance notice. References to excavator weights are approximate and many may be subject to changes. Consider a 20% tolerance.