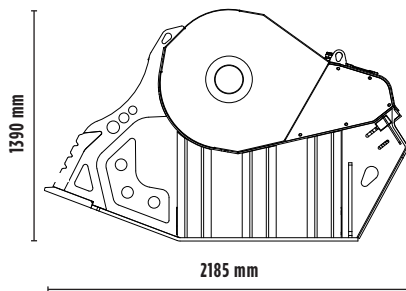
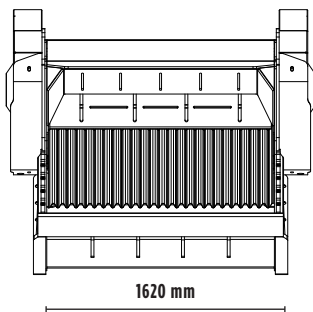
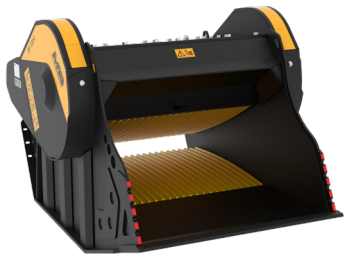



CRUSHER BUCKET

BF120.4 S4



SPECIFICATIONS

 Recommended excavator	ton	30 - 45
Weight	ton	4,80
Load capacity	m ³	1,30
Pressure	bar	220 - 280
Back pressure	bar	< 10
Oil flow rate*	l/min	190 - 250
Mouth width	mm	1205
Mouth height	mm	540

* The minimum hydraulic flow rate value must be alongside the required operating pressure.

ACCESSORIES

Dust suppression kit	Hour meter
Iron separator	24 month warranty

APPLICATION AREAS

