



PRODUCT CATALOGUE

2022

REDUCE >> REUSE >> RECYCLE

MB CRUSHER: ADVANCED, VERSATILE, TOUGH.

For over 20 years **MB CRUSHER** has been designing **and manufacturing** attachments for heavy equipment regardless of size. Perseverance and resilience led the company to invent the first jaw crusher for excavators.

Investing in technology research contributed to the development of MB's products that can be installed on any carrier machine, turning them into real mobile crushers while improving the machine's performance and allowing companies to use the resources available in their job sites.

MB CRUSHER has evolved over the years and has become the **benchmark for the construction equipment industry around the world** today.

With a full range of products to give companies the solutions that they are looking for.



MB CRUSHER HAS SOLUTIONS FOR EVERY CARRIER MACHINE

Crushers, screening buckets, shafts screeners, drum cutters, sorting grapples.

MB CRUSHER provides entrepreneurs with the widest range of attachments capable of **making construction sites** of any size, **independent and competitive** regardless of the job's nature and scope of action.

All of MB CRUSHER's equipment was designed to solve **all kinds of obstacles**, even the most extreme. From skid steers, backhoes, telehandlers, mini and midi excavators, from 1,3 ton machines to excavators weighing 70 ton; **there will be a suitable MB CRUSHER unit.**

Installation is straightforward and quick, whether it's for the larger machines in the MB range or the small ones.

PRODUCTS GUARANTEED AND CERTIFIED QUALITY

Guaranteeing a safe product, that is compliant with international regulations is essential for everyone at MB CRUSHER. All aspects (from assembly to the finished product) are constantly certified, to meet the markets' needs and to **guarantee** the customer receives a product that **is accredited for its good quality.**

100% MADE IN ITALY

MB Crusher is an **Italian company** with a worldwide presence. All of the equipment's production phases take place at the headquarters in Fara Vicentino, Italy.

More than 45.000 square meters host research and development laboratories, production departments, sales, marketing and administrative offices. Here, every piece of equipment is designed, assembled and distributed to international markets by more than **200 people**. Brazil, China, France, Germany, Japan, India, Russia and United States.

There are 9 subsidiaries abroad that support the headquarters to promote and distribute the products to all continents. And a network of over 230 dealers helps sell MB Crusher's products to **over 150 countries.**



Learn more

PRODUCT CERTIFICATIONS

2006/42/CE	2014/68/UE
Machinery directive	PED directive

EN 12100:2010
Safety in machinery design

QUALITY CERTIFICATION

ISO 9001:2015
Quality Management Systems

PROCESS CERTIFICATIONS

UNI EN ISO 9606-1:2017

UNI EN ISO 14732:2013

UNI EN ISO 15614-1: 2008

Organization with qualified welding processes and personnel

WITH MB CRUSHER

YOU CRUSH EVEN TIME.

ONE ATTACHMENT TO WORK
FASTER AND SAVE MONEY.



WATCH THE VIDEO

With
MB

8
MINUTES

It is how long
it takes **FOR**
MB CRUSHER
to process the
material.

1
ATTACHMENT

This is why MB
CRUSHER's
units are used
on many job
sites around the
world. Because
it **replaces 3**
machines with
just **one unit**.



The jobsite
becomes
**environment-
friendly**:
-less CO₂
-no landfill
disposals
-reduce pollution
emissions
from vehicles
transporting
material.



4
HOURS

is the average
time to process
9 tons of material
WITHOUT MB
CRUSHER.

3
VEHICLES
INVOLVED

3 are the
machines involved
to collect,
transport and
process materials
WITHOUT MB
CRUSHER.

BEFORE/AFTER

MB CRUSHER'S IMPACT ON DIFFERENT MATERIALS

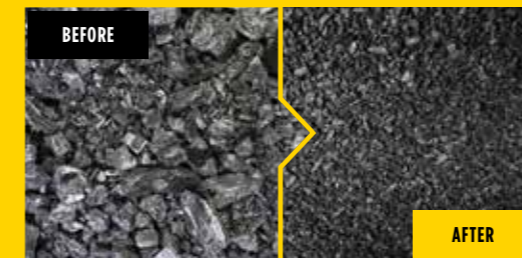
BUILDING OR CONSTRUCTION MATERIALS

Demolition waste
Excavated soil
Asphalt
Reinforced concrete
Bricks



ORGANIC MATERIALS

Foliage
Sand and soil



WASTE

Garbage
Nylon and plastic
Bituminous waste
Glass
Ceramics



ROCKS

Coal
Porphyry
Limestone
Granite
Basalt
Marble
River Stone
Calcium carbonate-
gypsum



FOUNDRY WASTE AND METALS

Casting mold waste
and slag
Foundry sand
Copper slag
Iron
Steel and aluminium
slag



POLES AND COLUMNS

Concrete slabs
Concrete pipes
Gratings
Vineyard poles
Light poles
Railway sleepers

DON'T SEE YOUR MATERIAL?

CONTACT US



MB CRUSHER BUCKETS



FOR EXCAVATORS,
BACKHOES, LOADERS
AND SKID STEERS

≥ 4,5 ton

FIND OUT MORE



REDUCED VIBRATION

Control devices reduce vibration on the arm of the carrier machine.



HYDRAULIC PROTECTION

The latest hydraulic system extends and protects the life of the excavator.



LOW NOISE

The frame is designed to minimize noise and vibration while crushing.



EASY MAINTENANCE

Quick and easy maintenance: no oil change required.



GUARANTEED OUTPUT SIZE

Regular output size is guaranteed even with worn out jaws.



WIDE MOUTH OPENING

Widest crusher mouth opening per weight of the equipment, available on the market.



OPTIMAL DESIGN

Designed to pick up and process material with ease while guaranteeing quality and increased production rates.

The patented jaw crushers turn any carrier into a real mobile crusher. MB CRUSHER's range of crusher buckets is the largest in the world with **over 90% world's market share.**

AREAS OF APPLICATION



ENCLOSED SPACES



TUNNELS



FOREST MAINTENANCE



FOUNDRIES



DEMOLITIONS



ROAD WORKS



RECYCLING AGGREGATES



URBAN CONSTRUCTION SITES



PIPELINES



QUARRIES



MINES

MB CRUSHER BUCKETS



FOR EXCAVATORS
AND BACKHOE
LOADERS

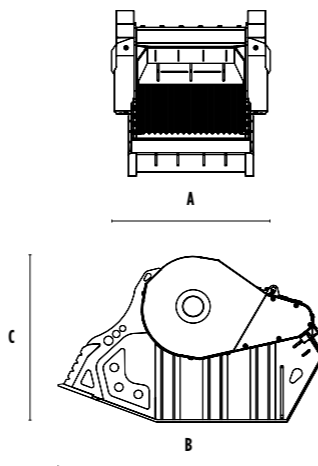
≥ 6,5 ton

FIND OUT MORE

Installed on heavy equipment, MB's jaw crushers transform waste into ready-to-use material in a single crushing phase. They are versatile and high-performing machines, created to meet the needs to crush materials in quarries, landfills, urban and non-urban construction sites regardless of the location's size.



DIMENSIONS



MODELS



	UNITS	MB-C50 S4	BF60.1 S4	BF70.2 S4	BF80.3 S4	BF90.3 S4	BF120.4 S4	BF135.8	BF150.10
Recommended excavator	ton	≥ 6,5 ≤ 10	≥ 10 ≤ 18	≥ 16 ≤ 25	≥ 18,5 ≤ 29	≥ 21 ≤ 32	≥ 30 ≤ 45	≥ 43 ≤ 80	≥ 70 ≤ 100
Recommended backhoe loader	ton	≥ 8 ≤ 9*	-	-	-	-	-	-	-
Weight	ton	0,75	1,65	2,30	3,00	3,50	4,80	7,50	10,50
Load capacity	m³	0,15	0,55	0,65	0,70	0,90	1,30	1,60	2,30
Pressure	bar	> 200	> 220	> 220	> 220	> 220	> 220	> 230	> 230
Back pressure	bar	< 10	< 10	< 10	< 10	< 10	< 10	< 10	< 10
Oil flow rate**	l/min.	> 90 < 130	> 120 < 180	> 150 < 200	> 150 < 220	> 180 < 240	> 190 < 260	> 320 < 380	> 380 < 430
Mouth width	mm	540	610	740	850	910	1205	1300	1450
Mouth height	mm	250	500	510	510	540	540	600	700
Size A	mm	1000	1000	1150	1300	1340	1620	1880	2090
Size B	mm	1240	1745	2000	2050	2185	2185	2930	3560
Size C	mm	770	1100	1200	1400	1390	1390	1700	2065
PRODUCTIVITY									
15 mm	m³/h	4	7	9	10	12	15	-	-
20 mm	m³/h	4,8	7,7	10	11	13,2	16,4	-	-
30 mm	m³/h	6,3	9	12	13	15,5	19,2	-	-
40 mm	m³/h	7,8	10,4	14	15	17,8	22	38,7	-
50 mm	m³/h	9,3	11,7	16	17	20	24,8	43,2	-
60 mm	m³/h	10	13	18	19	22,5	27,6	47,6	-
70 mm	m³/h	-	14,4	20	21	24,8	30,4	52,2	-
80 mm	m³/h	-	15,8	22	23	27,2	33	56,6	-
90 mm	m³/h	-	17,1	24	25	29,5	36	61,1	-
100 mm	m³/h	-	18,5	26	27	31,8	38,8	65,6	-
110 mm	m³/h	-	19,8	28	29	34,2	41,6	70,1	73,1
120 mm	m³/h	-	21	30	31	36,5	44,4	74,5	76,6
130 mm	m³/h	-	23	31	33	38,8	47,2	79,1	82,5
135 mm	m³/h	-	-	-	34	41	48,6	81,3	84,1
140 mm	m³/h	-	-	-	-	42	50	83,5	87,6
145 mm	m³/h	-	-	-	-	-	53	85,7	91,1
150 mm	m³/h	-	-	-	-	-	-	88	95
200 mm	m³/h	-	-	-	-	-	-	-	120

ACCESSORIES

24 MONTH WARRANTY



OUR METER



IRON SEPARATOR



DUST SUPPRESSION KIT



CRUSHING OUTPUT ADJUSTMENT

*Rear.
**The hydraulic flow and pressure must meet the required parameters.

To obtain the values in ton/h, multiply the data listed in the table by the specific weight of your material. These values are indicative only, estimated with materials of medium load capacity.

MB CRUSHER BUCKETS



FOR EXCAVATORS,
BACKHOES, LOADERS
AND SKID STEERS

≥ 4,5 ≤ 17 ton

FIND OUT MORE



Mounted on loaders, skid steers, backhoe loaders, mini-excavators and excavators they crush any type of inert material. Despite their compact size, they offer high productivity standards while maintaining the unique performance characteristics that MB CRUSHER buckets have. They provide solutions for any needs that arise in small construction sites and particularly tight spaces.



ACCESSORIES

24 MONTH WARRANTY



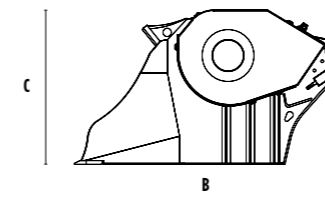
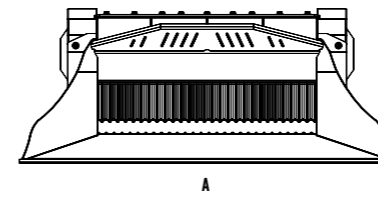
OUR METER



DUST SUPPRESSION KIT



DIMENSIONS



MODELS

	UNITS	MB-L120 S2	MB-L140 S2	MB-L160 S2	MB-L200 S2
	Recommended excavator	ton ≥ 7,5 ≤ 12	ton ≥ 7,5 ≤ 13	ton ≥ 11 ≤ 16	ton ≥ 12 ≤ 17
	Recommended backhoe loader/Loader*	ton ≥ 5 ≤ 9	ton ≥ 5 ≤ 10	ton ≥ 7 ≤ 11	ton ≥ 7 ≤ 12
	Recommended skid steer loader*	ton ≥ 4,5 ≤ 6	ton ≥ 4,5 ≤ 6	ton ≥ 5 ≤ 7	ton ≥ 6 ≤ 8
	Weight	ton 0,95	ton 0,98	ton 1,45	ton 1,50
	Load capacity	m³ 0,19	m³ 0,20	m³ 0,35	m³ 0,43
	Pressure	bar > 200	bar > 200	bar > 200	bar > 200
	Back pressure	bar < 10	bar < 10	bar < 10	bar < 10
	Oil flow rate**	l/min. 95	l/min. 98	l/min. 110	l/min. 120
	Mouth width	mm 730	mm 740	mm 1100	mm 1150
	Mouth height	mm 250	mm 250	mm 250	mm 260
	Size A	mm 1230	mm 1530	mm 1630	mm 2030
	Size B	mm 1230	mm 1230	mm 1300	mm 1435
	Size C	mm 800	mm 800	mm 835	mm 835
		PRODUCTIVITY			
OUTPUT ADJUSTMENT	15 mm	m³/h 6	m³/h 8	m³/h 9	m³/h 10
	20 mm	m³/h 7	m³/h 9	m³/h 10,2	m³/h 11,3
	30 mm	m³/h 9	m³/h 11	m³/h 12,7	m³/h 14
	40 mm	m³/h 11	m³/h 13	m³/h 15,1	m³/h 16,7
	50 mm	m³/h 13	m³/h 15	m³/h 17,6	m³/h 19,3
	60 mm	m³/h 14	m³/h 16	m³/h 20	m³/h 22

* Please verify machine's Rated Operating Capacity.
** The hydraulic flow and pressure values must meet the required parameters.

To obtain the values in ton/h, multiply the data listed in the table by the specific weight of your material. Indicative values only, estimated with the medium toughness of the materials.

MB SCREENING BUCKETS



FOR EXCAVATORS, BACKHOES AND LOADERS

≥ 6 ≤ 50 ton

FIND OUT MORE



OPTIMAL SIZE

designed to pick up and process material with ease.



CHANGE SCREENING PANELS

quick and easy.



LOADING STRAIN CONTROL SYSTEM

A device that reduces stress on the machine while loading material.



MAINTENANCE

simple, fast, and centralized.



HIGH PRODUCTION

Thanks to the cone-shaped basket depth and size.

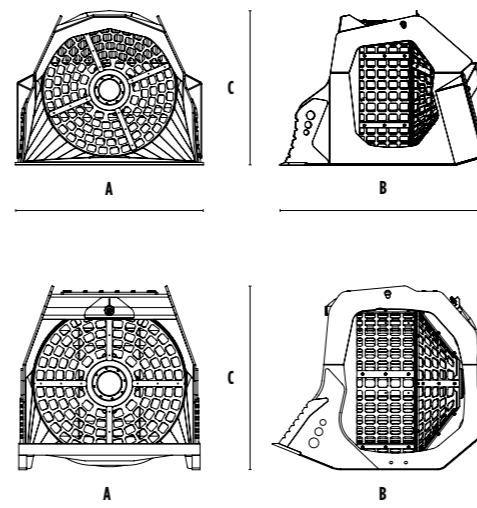
Installed on the carrier machine, MB screening buckets are the ideal tool to select and screen inert material, both before and after the crushing phase. Crucial in all situations where different size materials are necessary.



APPLICATION AREAS



DIMENSIONS



MODELS



	UNITS	MB-LS170 S2	MB-LS220 S2	MB-S10 S4	MB-S14 S4	MB-S18 S4	MB-S23
Recommended excavator	ton	-	-	≥ 6 ≤ 9	≥ 9 ≤ 20	≥ 20 ≤ 35	≥ 35 ≤ 50
Recommended backhoe loader	ton	≥ 8 ≤ 15	-	≥ 8 ≤ 9*	-	-	-
Recommended loader**	ton	≥ 8 ≤ 15	≥ 15 ≤ 25	-	-	-	-
Weight	ton	1,45	2,80	0,41	1,10	2,00	3,66
Load capacity	m ³	1,10	2,40	0,32	1,10	2,40	3,75
Pressure	bar	> 160	> 200	> 130	> 150	> 200	> 320
Back pressure	bar	< 40	< 40	< 40	< 40	< 40	< 5
Oil flow rate***	l/min	80	120	40	60	120	160
Basket diameter	mm	1200	1600	800	1200	1600	1970
Basket depth	mm	900	1225	555	900	1225	1490
Size A	mm	1865	2180	950	1400	1840	2320
Size B	mm	1670	2355	1220	1700	2260	2840
Size C	mm	1380	1790	1010	1440	1870	2350

* Rear.
** Please verify machine's Rated Operating Capacity.
*** The hydraulic flow rate values must be met alongside the required operating pressure.

ACCESSORIES

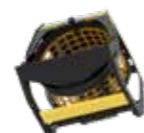
24 MONTH WARRANTY



HOUR METER



BASKET PROTECTION KIT



DUST SUPPRESSION KIT



MB SHAFTS SCREENERS



FOR EXCAVATORS,
BACKHOES, LOADERS
AND SKID STEERS

≥ 1,3 ≤ 45 ton

FIND OUT MORE



EASY MAINTENANCE

Simple, fast,
and centralized
maintenance.



HIGH PRODUCTION

The optimal design and
large loading volume
ensures high and optimal
production rates.



MODERATE NOISE EMISSIONS

The frame is
designed to
minimize noise
and vibration.



SHAFTS REPLACEMENT SYSTEM

The process to
replace the shafts
can be executed
directly on site
simply and safely.



AUTOMATIC HYDRAULIC BUFFER SYSTEM

to protect the engine
and transmission.

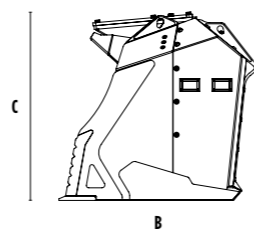
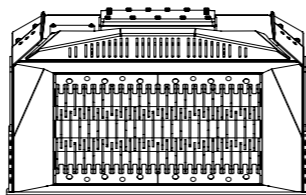
Installed on the carrier
machine, they select
materials directly on site.
Ideal for large and small
construction sites.
Thanks to the rotating shaft
kits that can be replaced
right on the job site, you can
process different material
whenever you need to.



APPLICATION AREAS



DIMENSIONS



MODELS

	UNITS	MB-HDS207		MB-HDS212	MB-HDS214	MB-HDS220	MB-HDS314	MB-HDS320	MB-HDS323	MB-HDS523
		without capacity increase kit	with capacity increase kit							
Recommended excavator	ton	≥ 1,3 ≤ 2,8	≥ 1,7 ≤ 3	≥ 5 ≤ 10	≥ 9 ≤ 13	-	≥ 12 ≤ 20	≥ 18 ≤ 24	≥ 22 ≤ 35	≥ 30 ≤ 45
Recommended backhoe loader	ton	-	-	≥ 8 ≤ 9*	-	-	-	-	-	-
Recommended backhoe loader/loader**	ton	-	-	-	≥ 8 ≤ 13	≥ 7 ≤ 11	≥ 9 ≤ 14	≥ 11 ≤ 14	≥ 12 ≤ 16	-
Recommended skid steer loader**	ton	-	-	-	≥ 4 < 10	≥ 4,5 < 10	-	-	-	-
Weight	ton	0,098	0,113	0,48	0,82	1,00	1,40	2,10	2,40	3,35
Load capacity	m ³	0,05	0,06	0,15	0,40	0,60	0,90	1,35	1,65	2,00
Pressure	bar	> 200	> 200	> 200	> 200	> 300	> 230	> 250	> 250	> 250
Oil flow rate***	l/min.	25	25	≥ 75 ≤ 100	75	90	100	120	120	230
Size A	mm	740	750	1220	1380	2220	1430	2050	2330	2330
Size B	mm	545	595	815	1125	1060	1350	1350	1500	1500
Size C	mm	495	495	710	950	890	1250	1250	1250	1620

*Rear.
** Please verify machine's Rated Operating Capacity.
*** The value of the hydraulic flow rate must be reached alongside the required operating pressure.

ACCESSORIES

24 MONTH
WARRANTY



LOAD CAPACITY
INCREASE KIT*



SHAFT HOLDER



SHAFT
KIT

PAGE
20

*available only for MB-HDS207 model

MB DRUM CUTTERS



FOR EXCAVATORS
AND SKID STEER
LOADERS

≥ 3,5 ≤ 35 ton

FIND OUT MORE



REPLACING THE DRUMS

The drum heads can be replaced directly on the job site.

Ideal for applications that require you to grind compact materials efficiently and accurately. They are the only drum cutters on the market that feature the Direct Drive Twin Motor System, which distributes the force of two drums according to the power required.



SUBMERSION

Suitable for **underwater** work.



LESS VIBRATION

Equipped with the **no torsion system** that reduces transverse stress on the arm of the excavator.



RELIABLE

Devices available to reduce the excavator's oil temperature during heavy use.



STRONGER

Equipped with **power boost** to evenly distribute the power to the rotary cutter that needs more force.



DURABLE

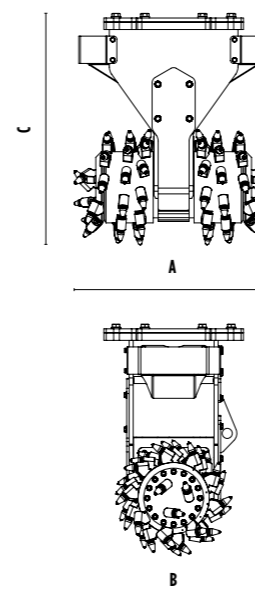
Equipped with **wear-resistant plates** to protect the central body.



APPLICATION AREAS



DIMENSIONS



MODELS

	UNITS	MB-R500	MB-R700	MB-R800	MB-R900
Recommended excavator	ton	≥ 3,5 ≤ 11	≥ 6 ≤ 13	≥ 10 ≤ 22	≥ 19 ≤ 35
Recommended skid steer loader*	ton	≥ 3,5 ≤ 6	≥ 6 ≤ 10	-	-
Weight	ton	0,30	0,60	1,00	1,40
Cutting width	mm	450	890	1015	1130
Pick force	N	19600	19600	33900	40000
Speed/Min. (min/max)	rpm	80/120	80/110	60/80	60/80
Output torque	Nm	5000	5000	10000	13200
Pressure	bar	> 350	> 350	> 350	> 350
Back pressure	bar	< 4	< 4	< 4	< 4
Oil flow rate**	l/min.	60 - 120	110 - 180	200 - 300	250 - 350
Drum diameter	mm	500	500	600	680
Size A	mm	500	895	1015	1130
Size B	mm	500	500	600	680
Size C	mm	820	930	1120	1375

* Please verify machine's Rated Operating Capacity.
** The hydraulic flow rate values must be met alongside the required operating pressure.

OPTIONAL ACCESSORIES

24 MONTH WARRANTY



INTERCHANGEABLE DRUM KIT (LOW-SET / FULL-SET)



ROCK AND ASPHALT PICK KITS



DUST SUPPRESSION KIT



DRUM COVER KIT**



CUTTING DEPTH ADJUSTMENT KIT**



*CUTTER BODY ROTARION KIT**
*needs rotation system



POWER TRANSMISSION KIT**



**only available for MB-R500 model

SORTING GRAPPLES MB



FOR EXCAVATORS

≥ 1,3 ≤ 30 ton

FIND OUT MORE



COUPLING SYSTEM

Inclined coupling system increases the attachment's reach.



SAFE

Equipped with a **safety valve** that prevents the claws opening in case of pressure loss.



LOW NOISE EMISSIONS

thanks to the silent blocks.



REPLACEABLE BLADES

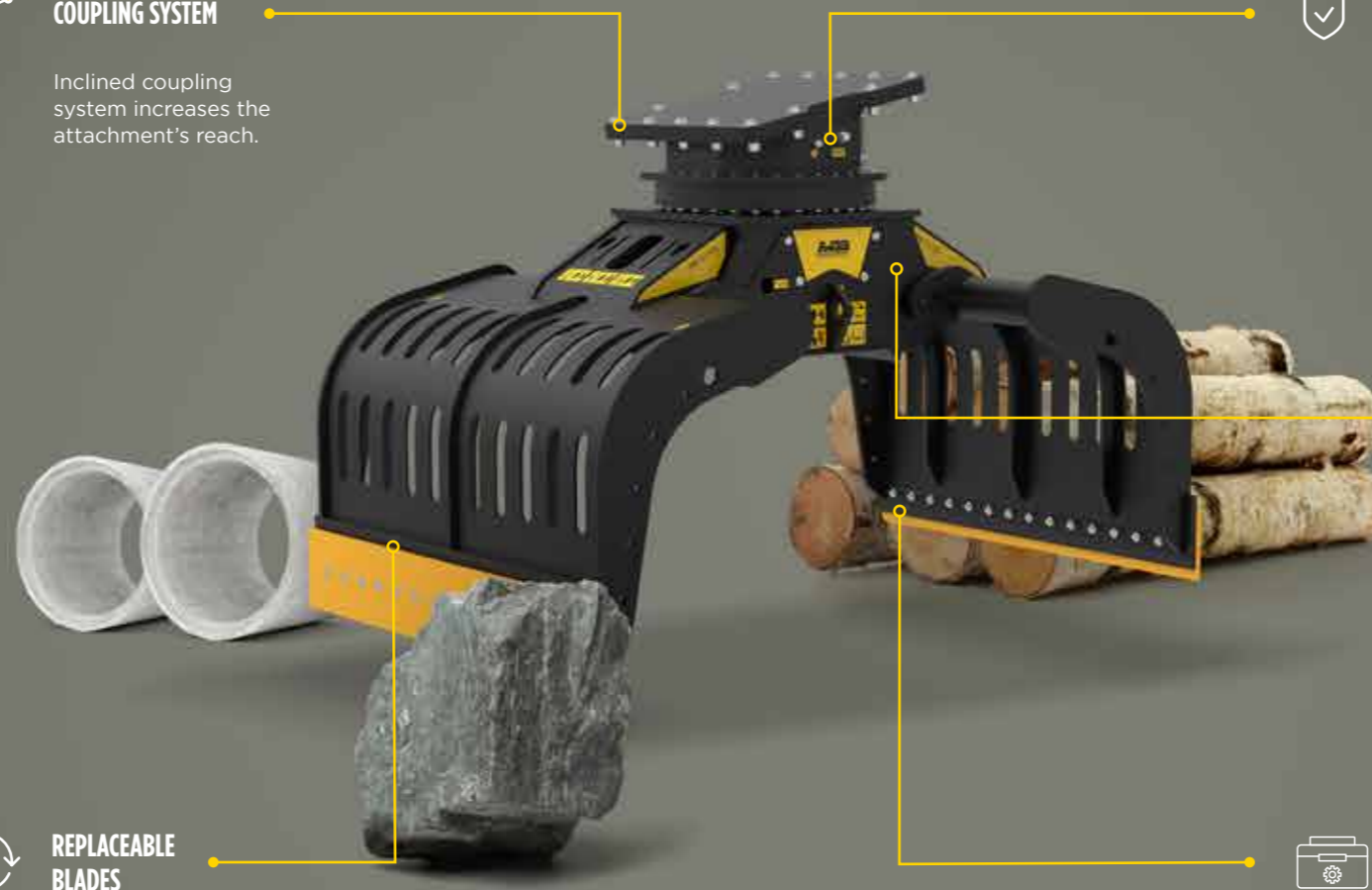
The reversible and double-sided blades can be replaced on site.



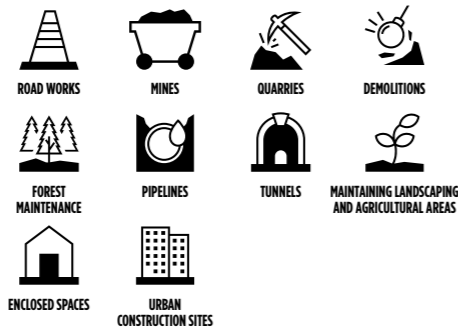
ACCESSORIES

Equipped with accessories that allow the grapples to be utilized on various application areas.

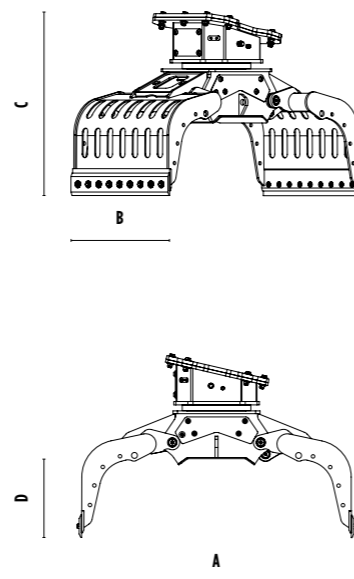
Designed to select and handle any type of solid material. Thanks to the interchangeable claws and the 360° rotation, the grapples can handle large loads and odd shapes.



AREAS OF APPLICATION



DIMENSIONS



MODELS



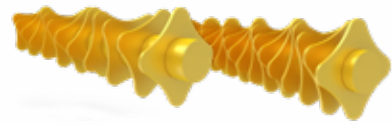
	UNITÀ	MB-G350 S4	MB-G450 S4	MB-G600 S4	MB-G900 S4	MB-G1000 S4	MB-G1200 S4	MB-G1500 S4
Recommended excavator	ton	≥ 1,3 ≤ 2,6	≥ 3 ≤ 6	≥ 6 ≤ 12	≥ 12 ≤ 18	≥ 18 ≤ 25	≥ 18 ≤ 30	≥ 20 ≤ 30
Weight	ton	0,085	0,288	0,60	0,78	1,62	1,65	2,05
Capacity (claws closed)	m ³	0,03	0,10	0,29	0,43	0,44	0,71	1,43
Rotation	Degrees	360°	360°	360°	360°	360°	360°	360°
Oil pressure (rotation)	bar	> 150	> 150	> 160	> 160	> 220	> 220	> 220
Oil flow rate (rotation)	l/min.	5	10	15 - 30	15 - 30	40 - 70	20 - 35	20 - 35
Oil pressure (opening/closing)	bar	0 - 200	0 - 250	200 - 300	200 - 300	300 - 400	300 - 400	300 - 400
Oil flow rate (opening/closing)	l/min.	15	40	25	30	70	70	70
Size A	mm	795	1300	1860	1860	1810	2115	2475
Size B	mm	350	475	650	930	1015	1235	1535
Size C	mm	570	865	1175	1175	1385	1450	1700
Size D	mm	233	425	540	540	525	590	810
Size E	mm	490	770	1000	1000	1170	1185	1365
Size F	mm	915	960	1380	1380	1500	1640	2000
Size G	mm	283	520	740	740	640	810	1110

ACCESSORIES

PAGE 21

SHAFT KIT

FOR SHAFT SCREENERS Page 14-15



RQ8/RQ15**/RQ20/RQ50 SIFTING KIT

ADJUSTMENT* 8/15/20/50 mm

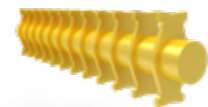
APPLICATION Sifting damp/dry soil
Soil aeration

*shafts in closed position
**available for MB-HDS207 model only



RM MIXER KIT

APPLICATION Soil Aeration
Compost Aeration
Charcoal reduction
Glass reduction
Drywall reduction

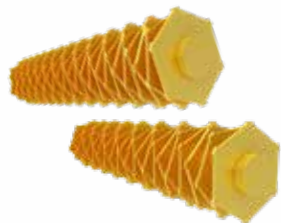


RC COMPOST KIT

ADJUSTMENT* 36,5 mm

APPLICATION Shredding foliage and small branches
Composting

*shafts in closed position

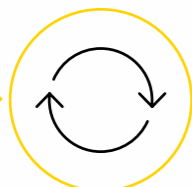


RE8/RE16 FINE SIFTING KIT

ADJUSTMENT* 8,5/16 mm

APPLICATION Sifting damp/dry soil

*shafts in closed position



**SHAFTS EASILY
REPLACEABLE ON SITE**

ACCESSORIES

Page 18-19 FOR SORTING GRAPPLES

ELECTRICAL KIT FOR 2 HOSE FUCTIONALITY

Utilize the 360° rotation even with excavators that only have two hoses.



REMOTE POWER CONTROL SYSTEM

Managing the claws' closing force directly from the cabin.



SERRATED SIDE PLATE KIT

For handling material of particular shapes.



ROTATION POWER EXTENDER KIT

To duplicate the grapple's rotational force and allow you to handle heavy materials with ease.



MULTI-PURPOSE BLADE KIT

For handling material of particular shapes.



24 MONTH WARRANTY



RUBBER PROTECTION KIT

For handling blocks of linear and delicate material.



CLAM SHELL KIT

For picking up and moving small material.



GRIP IMPROVEMENT KIT

To easily handle materials of particular weights and shapes, better grip and more control.



SMART REMOTE CONTROL

With the **innovative MB CRUSHER** solution you are able to **keep track of the product and its conditions** of use in real time.



SMARTER



SAFER AND MORE COMPETITIVE



EASIER TO USE

ONLY AVAILABLE ON SELECT MODELS

MB CRUSHER WORLDWIDE



MB S.p.A. (Headquarters)

Via Astico, 30/A - 36030 Fara Vicentino (VI) Italia
 ☎ +39 0445 308148
 ☎ +39 0445 308179
 ✉ info@mbcrusher.com

MB S.p.A. (Production)

Via Astico, 30 - 36030 Fara Vicentino (VI) Italia
 ☎ +39 0445 308148
 ☎ +39 0445 850335
 ✉ info@mbcrusher.com

MB S.p.A. (Logistic center)

Via Astico, 34 - 36030 Fara Vicentino (VI) Italia
 ☎ +39 0445 308148
 ☎ +39 0445 850335
 ✉ shipping@mbcrusher.com



MB FRANCE SARL

320 Rue Saint Honoré - 75001 Paris (Siège social)
 71 Rue Jean Zay - 69800 Saint Priest (Bureaux commerciaux)
 ☎ 0800907761
 ☎ +33 04 26074292
 ✉ info@mbfrance.fr



MB CRUSHER INDIA PVT. LTD.

Office No. C, 1st Floor, D Building, MBC Park,
 Near Hypercity Mall, Kasarwadavali, Thane West,
 Thane - 400615, Maharashtra
 ☎ +91 22 4970 6759
 ✉ info@mbcrusher.in



MB DEUTSCHLAND GMBH

Linprunstraße 49, D-80335 München (Hauptsitz)
 Im Greet 10, 72406 Bisingen (Zentrallager)
 ☎ 08007237174
 ☎ +49 (0) 74789290529
 ✉ info@mbcrusher.de



MB SHANGHAI 磨宝商贸(上海)有限公司

中国(上海)自由贸易试验区德堡路38号2幢三层311-21室(总部)
 上海市奉贤区拓林镇苍工路528号, 邮编: 201417 (仓库)
 ☎ +86 21 543 76037
 ✉ info@mbcrusher.cn



MB RUS 000 «МБ РУС»

127030, Г. МОСКВА, УЛ СУЩЕВСКАЯ, Д. 21, ЭТАЖ 5,
 ПОМЕЩ./ОФИС 1/502 (головной офис)
 620049, Екатеринбург, пер. Автоматики, Д.3
 (обособленное подразделение)
 ☎ 8-800-100-94-37
 ✉ info@mbcrusher.ru



MB CRUSHER DO BRASIL

Comercio de equipamentos Ltda
 Av. Paulista, 2006 Cj 410-01310-200
 São Paulo SP Brasil
 ☎ +55 11 9830 66555
 ✉ info@mbcrusher.com.br



MB AMERICA, INC.

8730 Technology Way, Reno, NV, 89521 (Headquarters)
 1203 E. Mountain St., Kernersville, NC, 27284 (Branch Office)
 ☎ 855 MB CRUSH (855 622 7874)
 ☎ 775 853 1058 (Headquarters)
 ☎ 336 663 6373 (Branch Office)
 ☎ 775 455 4196
 ✉ info@mbamerica.com



MB JAPAN 株式会社

〒352-0023 埼玉県新座市堀ノ内1-5-35 (本店)
 〒650-0024 兵庫県神戸市中央区海岸通5
 商船三井ビル617 (神戸支店)
 ☎ 048-423-2298 (本店)
 ☎ 078-381-5960 (神戸支店)
 ☎ 048-611-7865
 ✉ info@mbcrusher.jp



COMPANY WITH
QUALITY SYSTEM
CERTIFIED BY DNV GL
= ISO 9001:2015 =

HARDOX®

WELD
ORGANISMO DI CERTIFICAZIONE
SALDATORI QUALIFICATI
ISO 9606-1



MBCRUSHER.COM

