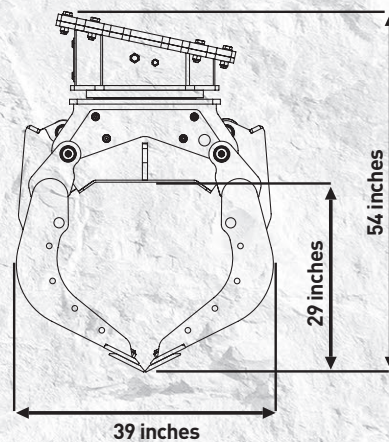
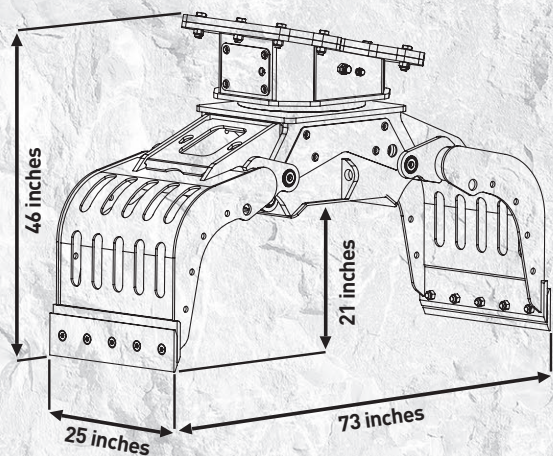


# MB-G600



# “Small and efficient”

Designed for selecting and handling demolition materials and manufactured according to the highest technological standards for any type of materials in a reliable way.

Thanks to the interchangeable claws and the 360° hydraulic rotation, it allows you to handle large loads and odd forms with certainty and total safety.



## SPECIFICATIONS

<b>RECOMMENDED EXCAVATOR</b>	<b>LOAD CAPACITY (CLAWS CLOSED)</b>		<b>OIL FLOW (OPEN/CLOSE)</b>
13,000-26,000 lbs	10.2 ft <sup>3</sup>		6.6 gal/min.
<b>PRESSURE (OPEN/CLOSE)</b>	<b>WEIGHT</b>		<b>ROTATION</b>
2,900 PSI / 5,800 PSI	1,320 lbs		360°

## ACCESSORIES

<b>RECOMMENDED SPARE PARTS KIT</b>	<b>FIXED COUPLER</b>	<b>QUICK FEMALE COUPLER</b>	
MBG500008	FCG690000	MBG690000	
			<b>OPTIONAL 24 MONTHS WARRANTY</b>
			WA240600

The data provided above is not binding, as the manufacturer reserves itself the right to make improvements to its products at any time and with no advance notice. References to excavator weights are approximate and many may be subject to changes. Consider a 20% tolerance.