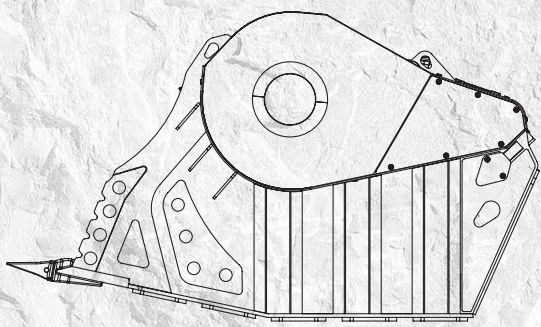
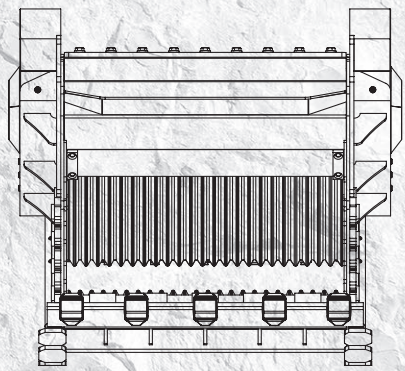


BF 135.8



2930 mm



1880 mm

1700 mm

“Inexhaustible power”



Suitable for excavators weighing over 43 Ton, the crusher bucket BF 135.8 was created to meet the specific needs of crushing in quarries, for aggregates recycling operations in landfills, for volume reduction of materials resulting from demolition in large yards, or excavation, sewage systems and preparation of aggregates.

With a productivity of 88 m³/h, a capacity of about 1.60 m³ and a total weight of 7,50 Ton the crusher bucket BF 135.8 is versatile and handy.



AREAS OF APPLICATION

- QUARRIES
- DEMOLITION
- RECYCLING
- EXCAVATION
- MINES
- ROAD WORKS

SPECIFICATIONS

RECOMMENDED EXCAVATOR	LOAD CAPACITY	OPENING DIMENSIONS	OUTPUT SETTING	DIMENSIONS
≥ 43 Ton	1,60 m ³	L 1300 H 600 mm	≥ 40 ≤ 150 mm	2930 x 1880 H 1700 mm
OIL FLOW	PRESSURE	COUNTER PRESSURE	WEIGHT	MAXIMUM PRODUCTION
320 l/min.	250 bar	10 bar	7,50 Ton	88 m ³ /h

ACCESSORIES

RECOMMENDED SPARE PARTS KIT	FIX COUPLER	QUICK FEMALE COUPLER	IRON SEPARATOR	HOUR METER
BF1308015	FC1380000	-	-	804MBNF01
			DUST SUPPRESSION KIT	24 MONTHS WARRANTY
			-	WA2413080

The data provided above is not binding, as the manufacturer reserves itself the right to make improvements to its products at any time and with no advance notice. References to excavator weights are approximate and many may be subject to changes. Consider a 20% tolerance.