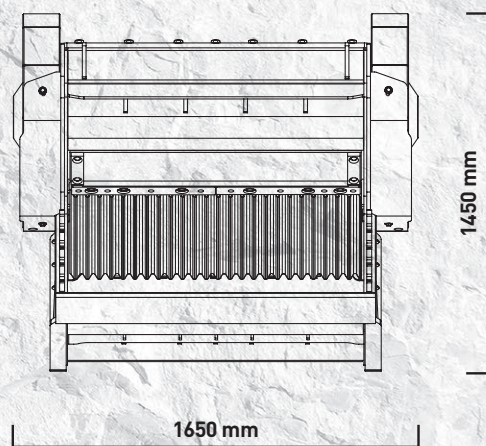
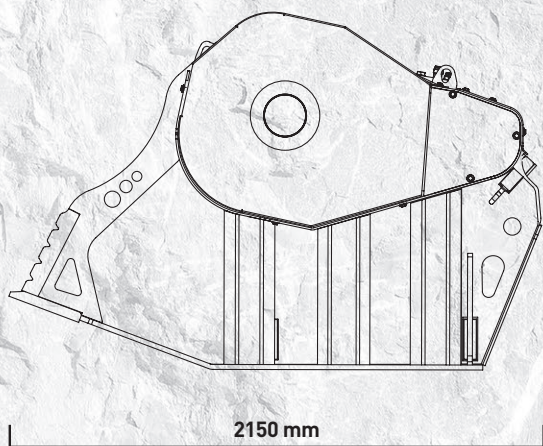


BF 120.4 S2



“Ideal for large projects”



A large bucket to ensure great results. The BF 120.4 S2 is suitable for excavators weighing more than 30 Ton, and was created to meet the specific needs of crushing in quarries and landfills for aggregate recycling, in large job sites to reduce the volume of materials resulting from demolition work.

With a productivity of more than 50 m³/h, a capacity of about 1,30 m³, and a total weight of 4,90 Ton, the BF 120.4 S2 crusher bucket is an effective machine that has established itself as the premier crusher in the crushing field in just a few years.



AREAS OF APPLICATION

- QUARRIES
- DEMOLITION
- RECYCLING
- EXCAVATION
- MINES
- ROAD WORKS

SPECIFICATIONS

RECOMMENDED EXCAVATOR	LOAD CAPACITY	OPENING DIMENSIONS	OUTPUT SETTING	DIMENSIONS
≥ 30 Ton	1,30 m ³	L 1210 H 530 mm	≥ 15 ≤ 140 mm	2150 x 1650 H 1450 mm
OIL FLOW	PRESSURE	COUNTER PRESSURE	WEIGHT	MAXIMUM PRODUCTION
220 l/min.	220 bar	10 bar	4,90 Ton	50 m ³ /h

ACCESSORIES

RECOMMENDED SPARE PARTS KIT	FIX COUPLER	QUICK FEMALE COUPLER	IRON SEPARATOR	HOUR METER
BF1240030	FC1240000	BF1204000	BF1240028	804MBNF01
			DUST SUPPRESSION KIT	24 MONTHS WARRANTY
			KNMB00L-KNMB00S-KNMB00M	WA241204

The data provided above is not binding, as the manufacturer reserves itself the right to make improvements to its products at any time and with no advance notice. References to excavator weights are approximate and many may be subject to changes. Consider a 20% tolerance.