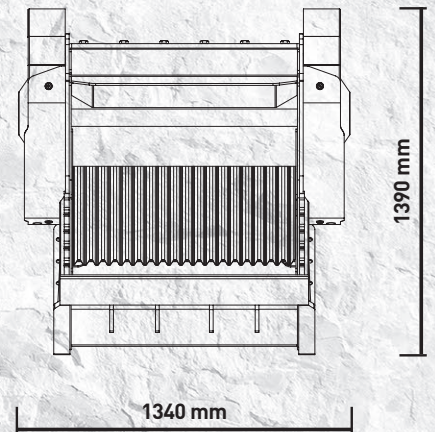
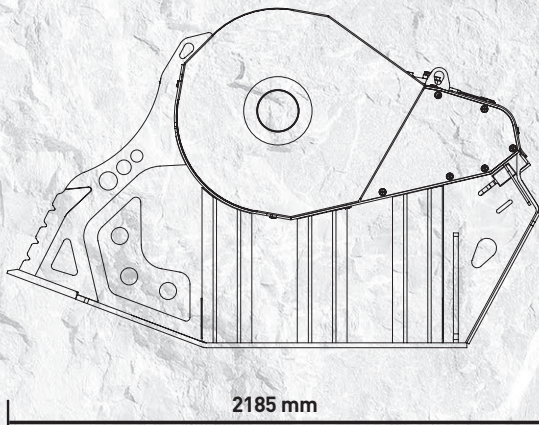


# BF 90.3 S3



# “The bucket that made **history**”



The first crusher bucket, produced and patented by MB in 2001, is still the most popular model for medium to large sized companies.

Renewed and improved over the years, the BF 90.3 S3 is suitable for excavators over 21 Ton in weight. It is compact, versatile, and suitable for all types of recycling operations, for road work, pipelines, demolition and excavation.

Despite its size and weight compared to the larger models, it achieves a significant production.



## AREAS OF APPLICATION

QUARRIES  
DEMOLITION  
RECYCLING  
EXCAVATION  
MINES  
ROAD WORKS

## SPECIFICATIONS

RECOMMENDED EXCAVATOR	LOAD CAPACITY	OPENING DIMENSIONS	OUTPUT SETTING	DIMENSIONS
≥ 21 Ton	0,90 m <sup>3</sup>	L 910 H 530 mm	≥ 15 ≤ 135 mm	2185 x 1340 H 1390 mm
OIL FLOW	PRESSURE	COUNTER PRESSURE	WEIGHT	MAXIMUM PRODUCTION
180 l/min.	220 bar	10 bar	3,50 Ton	41 m <sup>3</sup> /h

## ACCESSORIES

RECOMMENDED SPARE PARTS KIT	FIX COUPLER	QUICK FEMALE COUPLER	IRON SEPARATOR	HOUR METER
BF9030078	FC9030000	BF9030000	BF9030017	804MBNF01
			DUST SUPPRESSION KIT	24 MONTHS WARRANTY
			KNMB00L-KNMB00S-KNMB00M	WA249030